



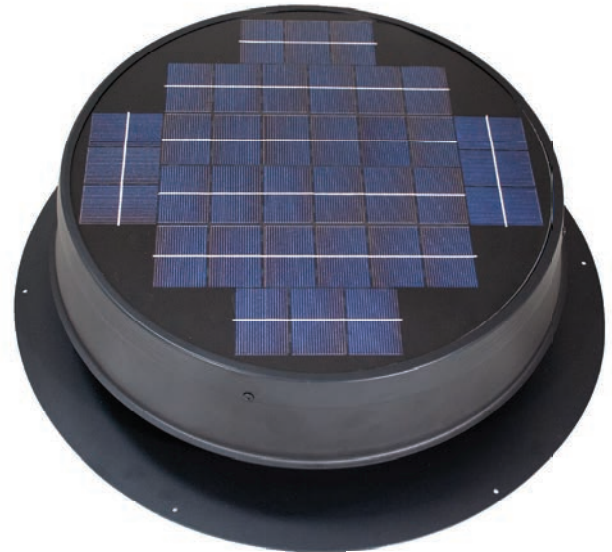
Natural Light Solar Attic Fans

*Now Available in New, Ultra Low-Profile
and Tile Roof Models*



Nine Reasons to Buy Natural Light's Ultra Low-Profile Solar Attic Fans:

1. Extends the life of roof shingles and underlayment
2. Reduces HVAC loads and A/C run times during summer
3. Prevents winter hotspots and ice damming during winter
4. Reduces damage caused by the build-up of attic moisture year-round
5. Commercial-grade aluminum components powder-coated inside & out for extra durability
6. Panel fits flush to better withstand high hurricane and tornadic winds
7. Removable solar panel allows for easy replacement and maintenance without having to replace the entire unit
8. More attractive and less visible than non low-profile models
9. Outstanding 25-year Warranty on all components—including motor!



Ultra Low-Profile



Tile Roof

Options include:

- ▶ **Fire Safety Switch**—required in some areas and specially designed to help stop the spread of house attic fires by shutting down the airflow of the fan
- ▶ **Thermal Snap Switch**—allows the fan to turn on when the attic temperature reach 80°F and the fan to turn off when the temperature falls to 70°F
- ▶ **Flashing Skirt**—required for tile roof applications to ensure a weather-tight fit
- ▶ **Turret Extension**—for accommodating higher profile S-style tile roofs



Fire Safety Switch



Thermal Switch

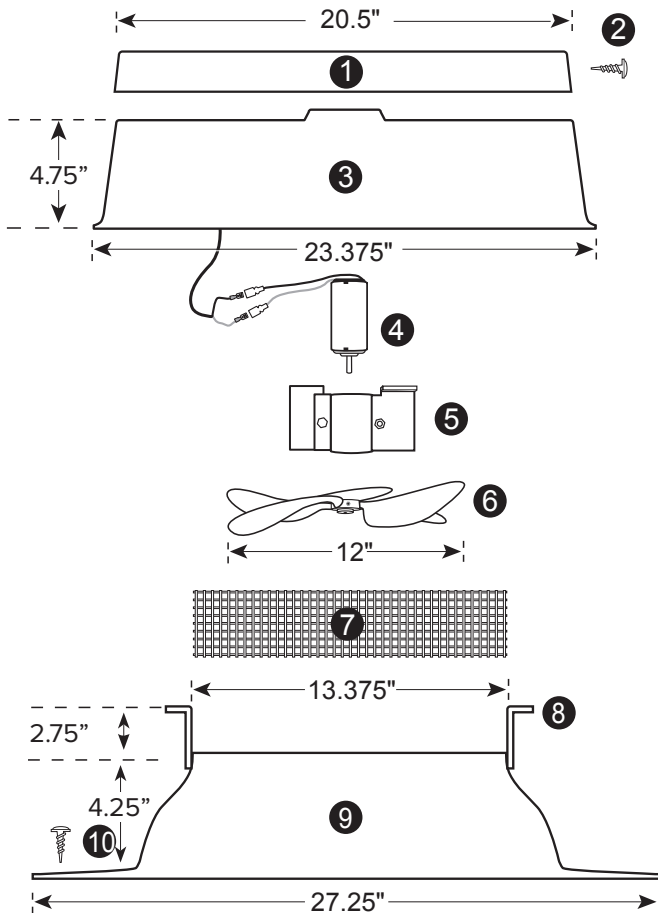
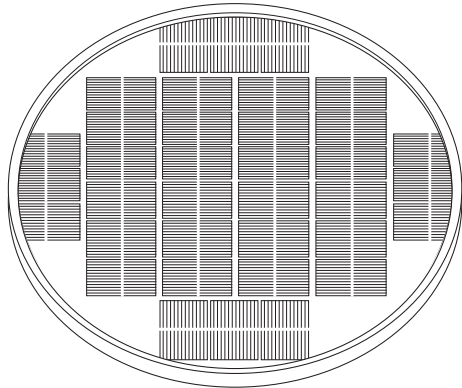


Flashing Skirt



Turret Extension





ROOF MOUNTED FLASHING

Ultra Low-Profile Solar Attic Fan

NOTE: The unit comes fully assembled. This exploded view of the new Ultra Low-Profile Solar Attic Fan is for illustrative purposes only.

1. 24 watt Solar Panel
2. Four #8x.5" Stainless Steel Phillips Head Screws
3. Commercial-grade, Aluminum Hood
4. Ultra-quiet, continuous run DC Motor
5. Stainless Steel Motor Housing Brackets
6. Precision Pitch Aluminum Fan Blade
7. Stainless Steel Debris/Critter Barrier
8. Rugged 11 Gauge Aluminum Hood Support Brackets
9. Commercial-grade, Aluminum Flashing
10. Six #10x1.5" Stainless Steel Phillips Head Screws

